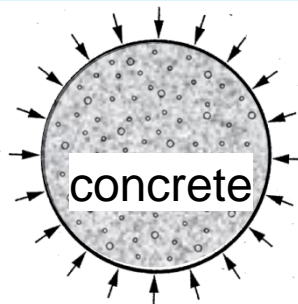
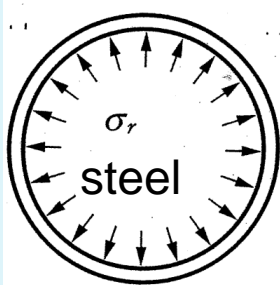


11. Concrete-Filled Tube / CFT

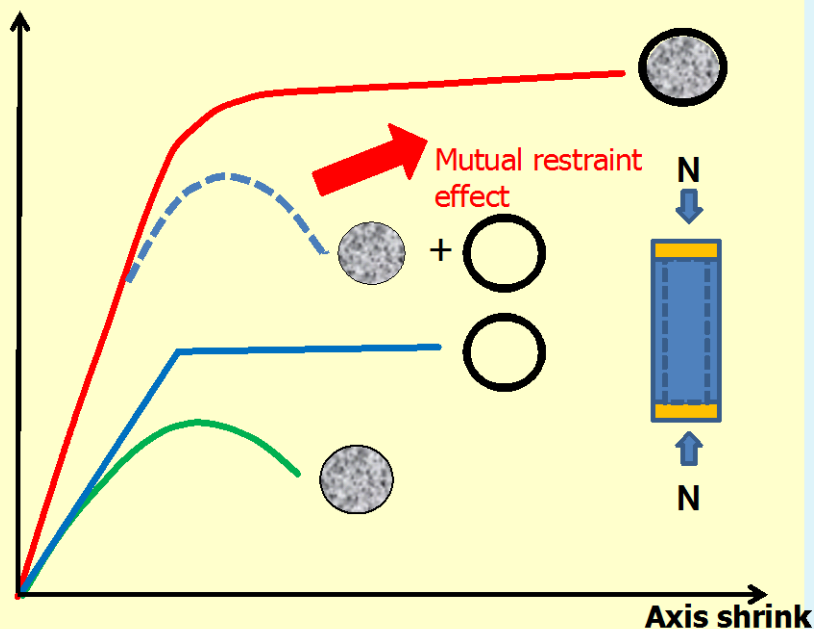
Bearing Capacity of CFT member is superior to RC & Steel structures. By adopting CFT, megacolumns of highrise buildings can be downsized remarkably.

■ CFT structure is a structural framing comprised of concrete-filled tubes and steel beams. CFT achieves higher seismic performance and fire resistance with the aid of the combined effects of steel and concrete.



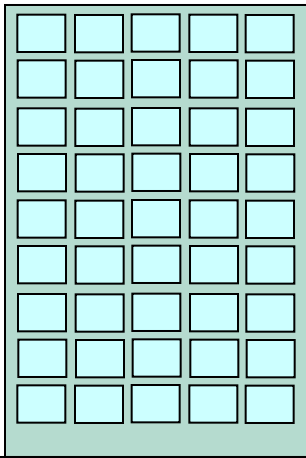
Mutual restraining effect of steel pipe and concrete increases strength and deformation capacity

Compression force N

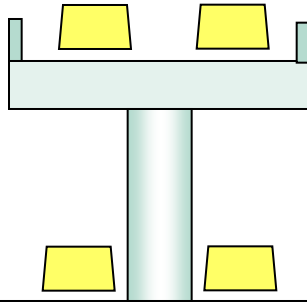


Applicable Sector

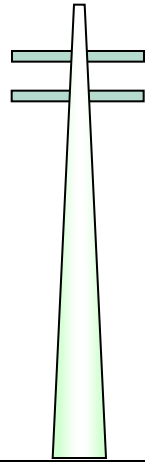
Buildings



Bridges

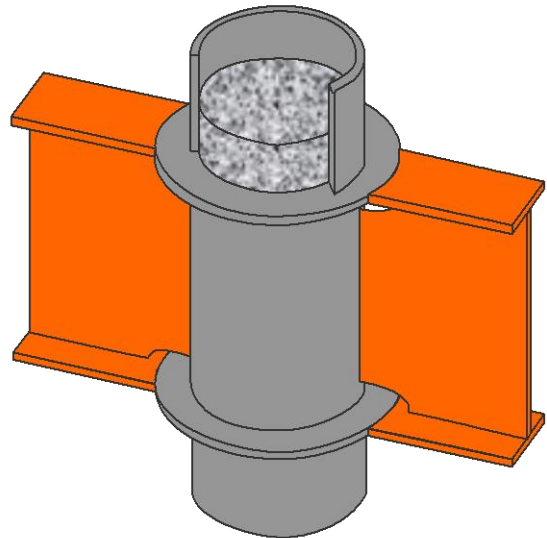
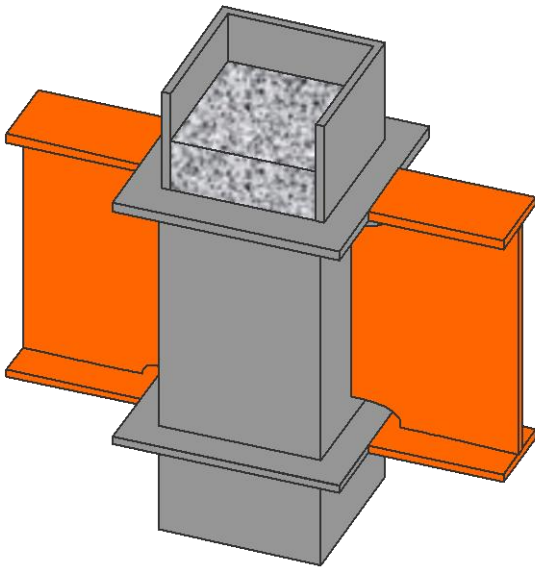


Towers



Etc.

Feature



Track Record

<Num. of Construction during '96-'08>
830 buildings (≒65/year)

Cost

To get information, please ask the contact shown below.

Contact

The Japan Iron and Steel Federation
Market Development Group

MAIL:sunpou@jssf.or.jp
TEL:+81-3-3669-4815

FAX:+81-3-3667-0245