

08. H-Beam with Fixed Outer Dimensions

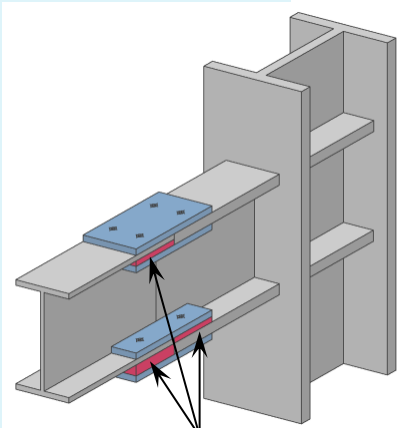
Fixed beam depth and flange width in a same size series enable a simple design and fabrication work

✓ Optimal structural design and construction cost saving

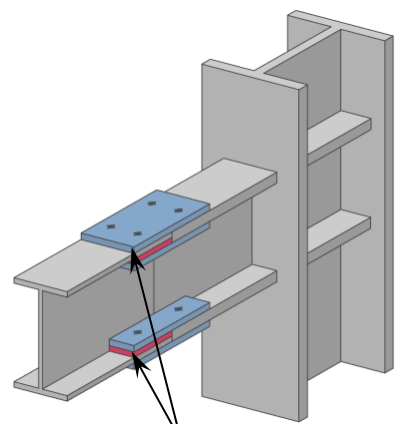
Conventional H-beam

H-beam with
fixed outer dimensions

【Joint of the H-Beam】

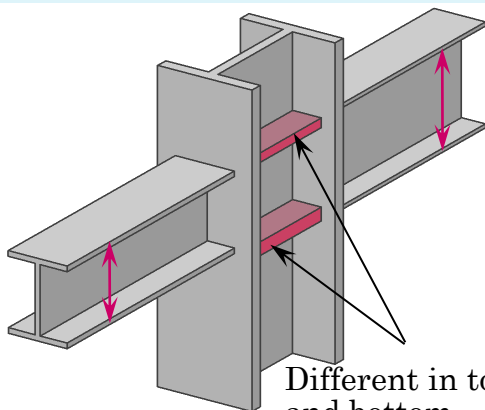


Filler plate: 2 type of 5 pieces

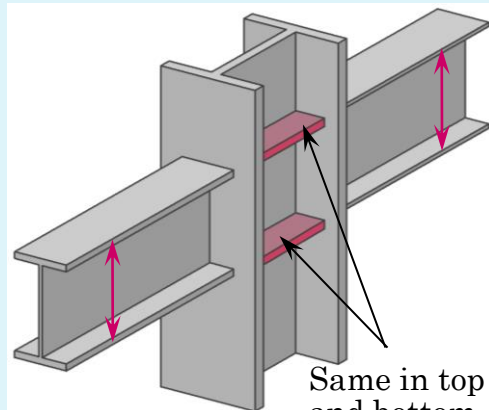


Filler plate: 1 type of 2 pieces

【Joint of the column and beam】



Different in top
and bottom



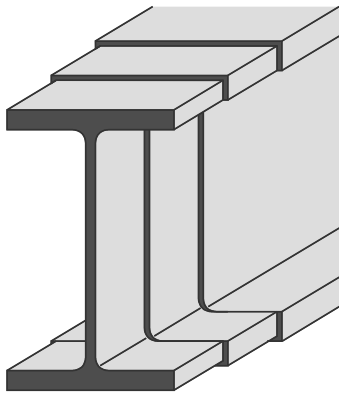
Same in top
and bottom

Applicable sector

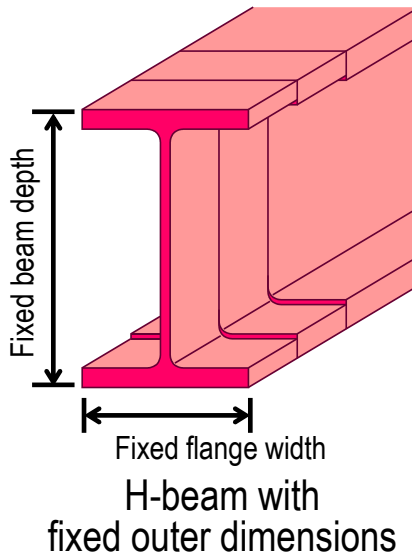
Steel
structure

Feature

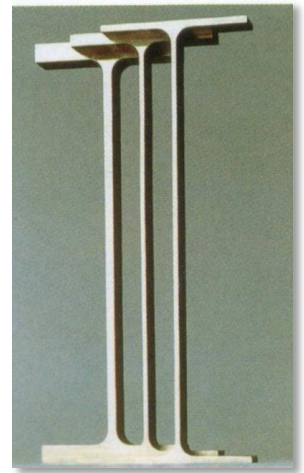
Fixed beam depth and flange width in a same size series



Conventional H-beam
(fixed inner dimensions)



H-beam with
fixed outer dimensions



Standard Condition
of application

- ✓ Size of H-beam
 - Height of web 400~1000mm
 - Width of flange 200~400mm

Wide variety of sizes

Superior dimensions,
shape precision

Track Record

Overseas: A lot of results

Japan: A lot of results

Cost

For particulars, please contact us
using the contact information
below.

Contact

The Japan Iron and Steel Federation
Market Development Group

MAIL:sunpou@jssf.or.jp
TEL:+81-3-3669-4815

FAX:+81-3-3667-0245